

Chlorine 3017M

DPD Chlorine analyzer

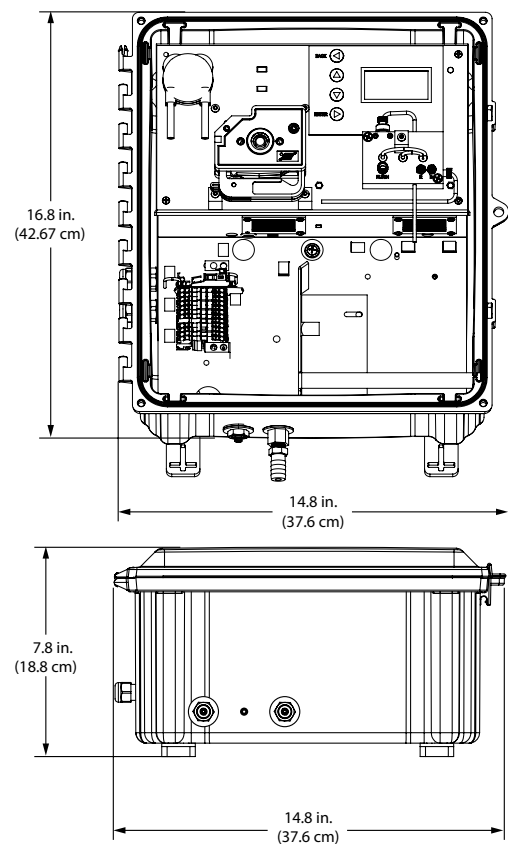


Technical Data

Model	Chlorine 3017M	
Measurement principle / method	Colorimetric with N, N-Diethyl-p-phenylenediamine (DPD)	
Measurement Range	0 ... 5 mg/l free or total chlorine, reagent dependent	
Resolution	0.01 mg/l	
Accuracy	±0.03 mg/l or ±5%, whichever is greater	
Limit of Detection	0.03 mg/l	
Measurement Interval	Programmable; 2.5 ... 60 minutes	
Sample Temperature	5 ... 45 °C (41 ... 113 °F)	
Sample Flow Rate to Sample Inlet Device	50 ... 1,000 ml/min when using Sample Inlet Device	
Inlet pressure	0.07 ... 1.40 bar (1 ... 20 psi) with Sample Inlet Device	
Reagent Consumption	~30 days per bottle at a 2.5 minute measurement interval	
Calibration	Factory calibrated, 1-point if required	
Display	2.8 x 6 cm backlit LCD	
Mounting	4 mounting struts bolted to back of unit	
Regulatory Compliance	US EPA regulations 40 CFR 141.74 and 40 CFR 136.3; Standard method 4500-CL-G; US EPA method 334.0; ISO method 7393-2	
Language	English, French, German, Italian, Spanish	
Reagent Storage Life	before hydration: Buffer and indicator: 5 years DPD powder: 1 year	after hydration ~30-40 days
Power	115-230 VAC, 50-60 Hz, 70 VA	
Relays	Two relays rated at 6A, 30 VDC	
Analog Output	One 4-20 mA configurable output	
Digital Output	RS-485 Modbus RTU	
Light Source	Class 1 LED; wavelength centered at 525 nm	
Light Path Length	>1 cm	
Environmental conditions	Storage Temperature Range: 5 ... 70 °C (41 ... 158 °F) Operating Temperature Range: 5 ... 55 °C (41 ... 131 °F) Relative Humidity: 90% at 40 °C non-condensing	
Certification	CE, cETLus	
Weight	8 kg (<18 lbs)	
Mechanics	Enclosure: Polycarbonate Flow cell Assembly: CPVC Sample pump assembly: PA12 is Polyamide12 and POM is Polyacetal Reagent pump assembly: Cyanoacrylate body and Stainless steel rollers Fan assembly: Acrylonitrile Butadiene Styrene (ABS) Terminal block: Polyamide 66 (PA 66) Housing: Designed for IP 66/NEMA 4X	
Warranty	2 year warranty	

WTW's 3017M DPD chlorine analyzer continuously monitors free or total chlorine in drinking water or wastewater applications using the ISO and EPA approved DPD colorimetric method.

We would like to inform you about the application range on our website



Model	Description	Order No.
Chlorine 3017M	DPD Chlorine Analyzer	860151
CLDF-Kit 30	Reagent kit for Free Chlorine	860160
CLDT-Kit 30	Reagent kit for Total Chlorine	860165
RT-Kit	Replacement Tubing kit for the Chlorine 3017M	860181
FC-Kit	Glass Flow cell with O-Rings 3017M	860186
RC-Kit	Reagent caps, 2 each, 3017M	860187
SID-Kit	Sample Inlet Device Kit	860188
RF	Replacement Filter for the Chlorine 3017M	860189